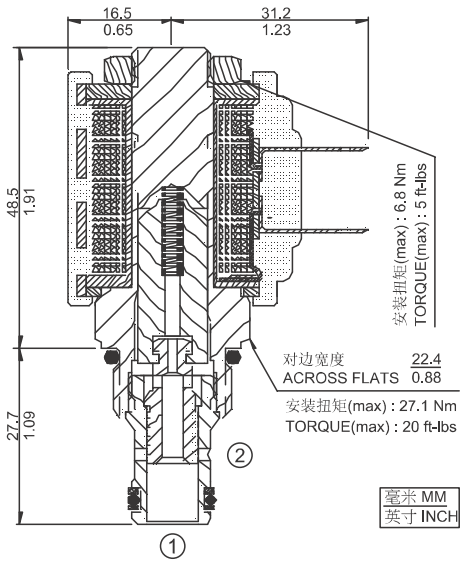




SV08-24 兩通常閉式錐閥 2-Way, Normally Closed



描述 DESCRIPTION

電磁驅動、2通常閉、直動滑閥式、液壓螺紋插裝閥，在低流量回路中用作雙向截止閥。

A solenoid-operated, 2-way, normally closed, direct-acting, spool-type, screw-in hydraulic cartridge valve, designed to operate as a bidirectional blocking valve in low flow circuits.

工作原理 OPERATION

斷電時，SV08-24 截止油液雙向流動。

通電后，插件的閥芯移動，從而允許油液雙向流動。

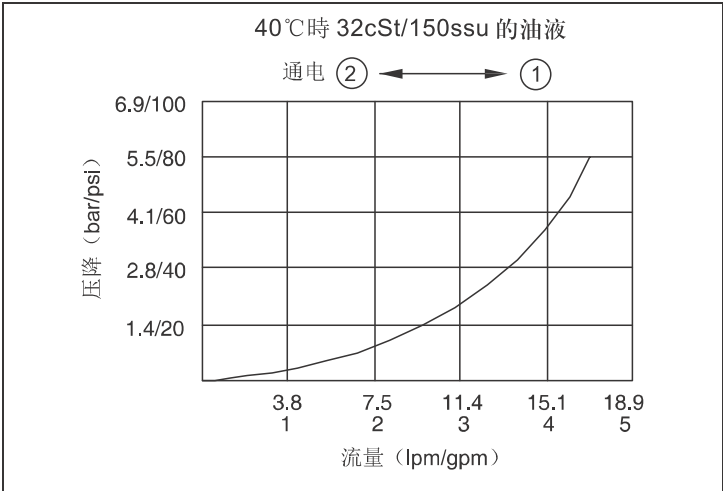
When de-energized, the SV08-24 blocks flow in both directions.

When energized, the cartridge's spool shifts to open the bidirectional flow path.

特性 SPECIFICATIONS

性能（只針對插件） TYPICAL PERFORMANCE (Cartridge only)

符號 SYMBOL	
工作壓力 PRESSURE	207 bar 3000 psi
流量 FLOW	17 L/min 4.5 gpm
內漏 LEAKAGE	≤ 82 ml/min at 207 bar (3000 psi)
密封材料/溫度範圍 SEAL MATERIAL/ TEMPERATURE	丁腈橡膠 -30°C ~ +100°C BUNA-N -20°F ~ +210°F 氟橡膠 -20°C ~ +150°C VITON -4°F ~ +330°F
線圈額定負載 COIL DUTY RATING	可在85%至115%的額定電壓範圍內連續工作 CONTINUOUS FROM 85% TO 115% OF NOMINAL VOLTAGE
過濾 FILTRATION	≤ 25 MICRONS
介質 FLUID	礦物油或具有潤滑作用的合成油 MINERAL OIL OR SYNTHETIC FLUID WITH LUBRICANT PROPERTIES
粘度 VISCOSITY	10.8~420 cSt 50~2000 ssu
閥孔 CAVITY	VC08-2



訂貨型號 HOW TO ORDER

SV08 - 24	-	-	-	-	-	-	-	-	-								
選項 Option	無 None	S: 150μ 過濾網 150μ Screen	密封材料 Seal Material	N: 丁腈橡膠 Buna-N	V: 氟橡膠 Viton	線圈電壓 Coil Voltage	0: 無線圈	12: DC 12V	24: DC 24V	115: AC 115V	230: AC 230V	線圈終端 Coil Termination	DG: DIN43650	DL: 導線 Leadwires	DR: Deutsch DT04-2P	AG: DIN43650	AP: 1/2 英寸導線管 1/2 in. Conduit

A
B
C
D
E
F
G
H
I
J
K

錐閥